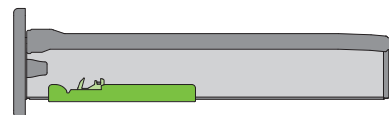
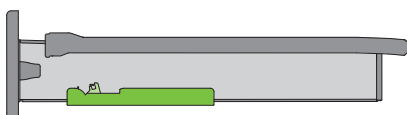
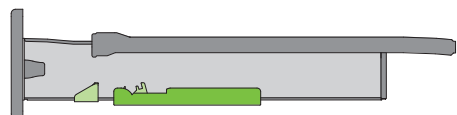
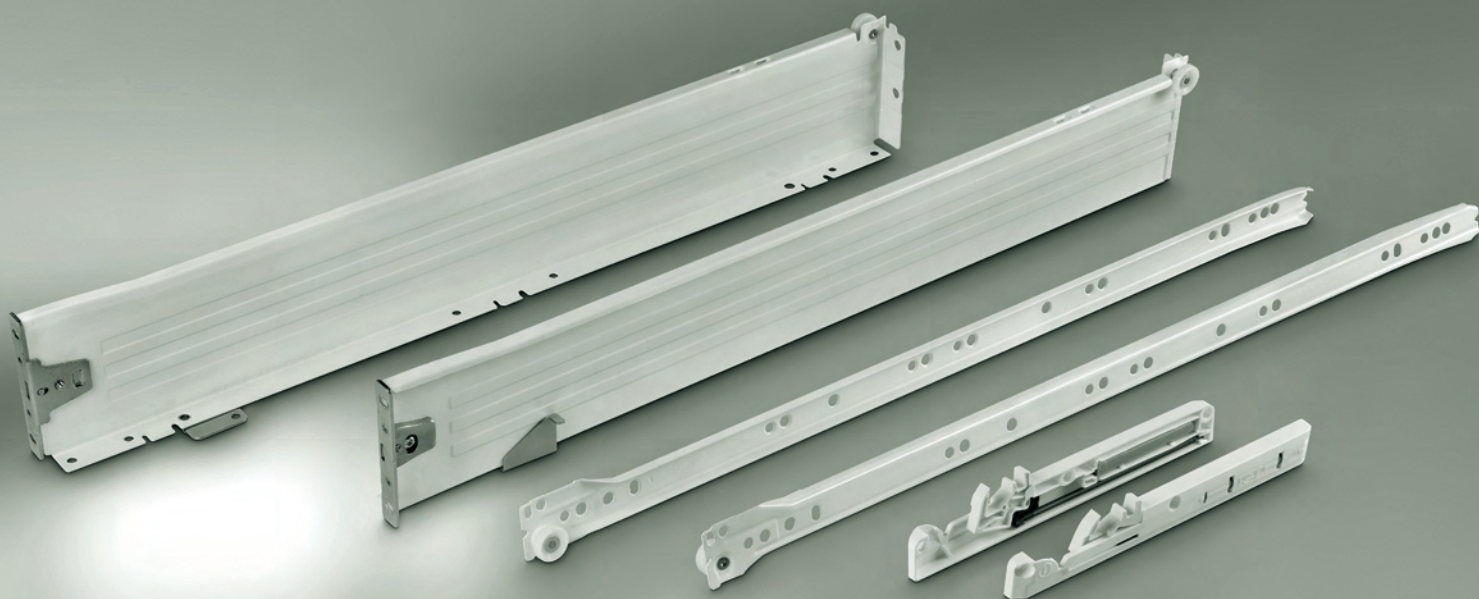


SlowMotion Zeta^{sd}



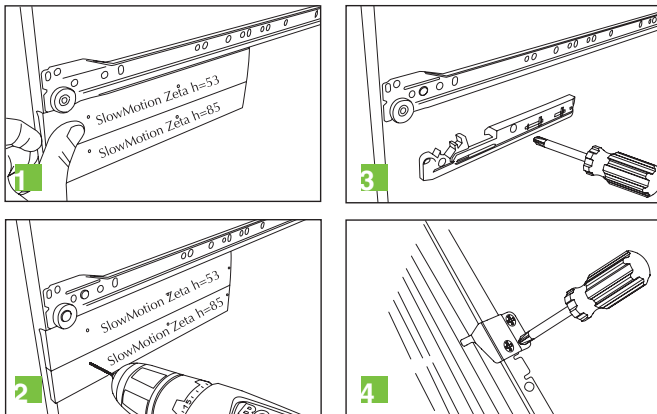
*Damped self-closing
for Uniset-drawers*



FORMENTI &
GIOVENZANA

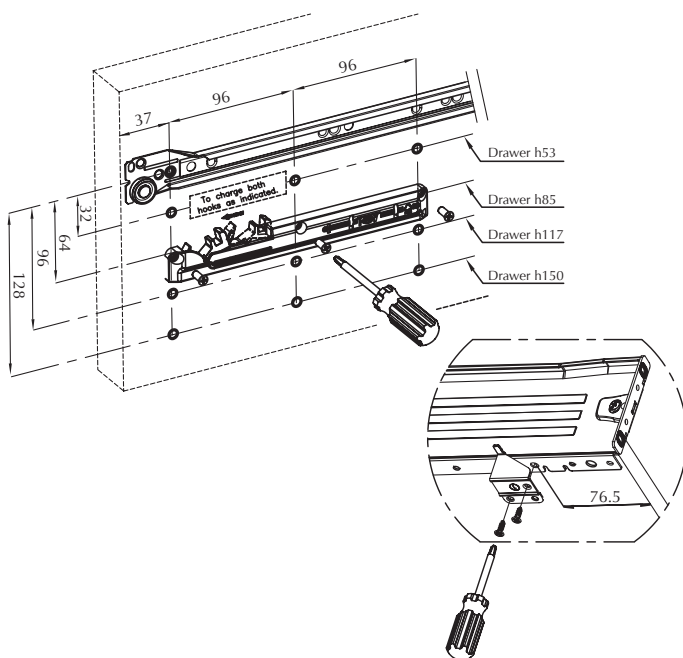


SlowMotion Zeta^{sd} is a fully integrated damped self-closing mechanism and confers to the Uniset single wall drawer a strong image boost at a fraction of the cost of a double-wall drawer. The accessory is a true add-on and is retrofit able to all the heights and depths of the UNISET drawer range. Supplied in bulk for industrial use or in skin-pack kit with screws and drilling template for end-user assembly, it is a must-have on single wall drawers.



Many advantages:

- Easy to use add-on for single wall drawer system
Uniset - retrofit able for existing installations
- Self closing with damping effect to confer high-end feel to steel drawer
- Silent drawer closing movement and guaranteed pull close of the drawer
- Anti-pinch safety for secure drawer closing
- Simple screw on assembly on cabinet and drawer



designation	code
SlowMotion Zeta ^{sd} - retrofit kit	59070021Z0000C1
SlowMotion Zeta ^{sd} - industrial set (50 pairs)	59070021Z000020